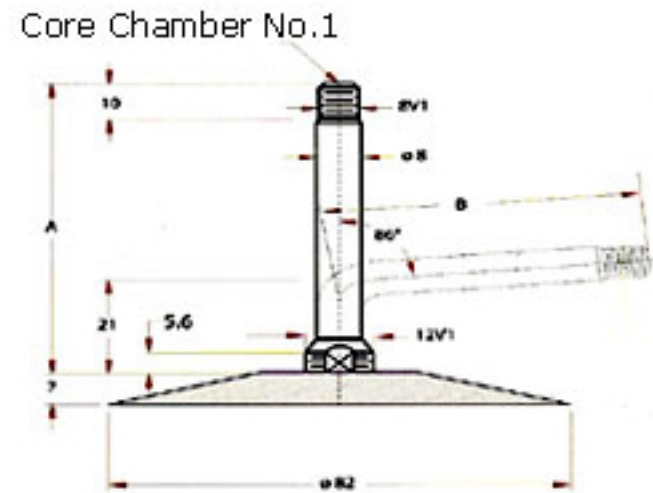


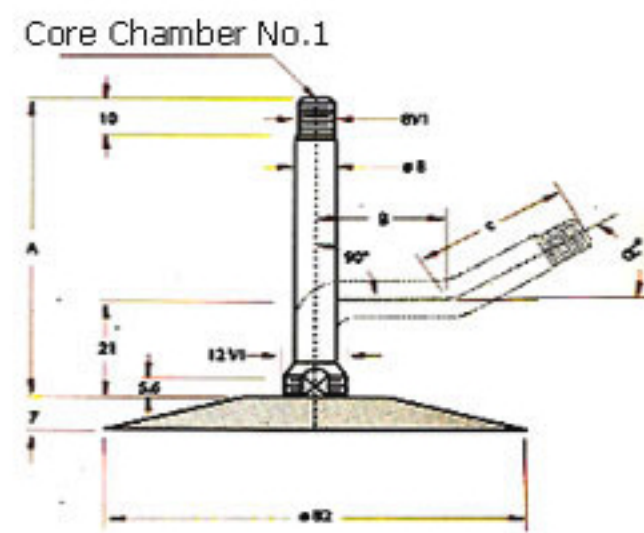
# Rubber Base Tube Valves for Truck & Bus

## RUBBER BASED SINGLE BENT TUBE VALVES - TRUCK & BUS



PRODUCT TYPE			A	B $\pm$ 4	ACCESSORIES - TR CODE				
VENDRIX	IS	ETRTO			CORE	CAP	BRIDGE WASHER	RING WASHER	HEX NUT
TR 227	A65 5 82	V3.09.11	65	48	C1 SHORT	VC2	BW1	RW3	HN1
TR 274A	A83 5 82	V3.09.12	83	66					
TR 75A	A97 5 82	V3.09.13	97	80					
TR 76A	AA6 5 82	V3.09.14	106	89		VC3	BW2		
-	AB1 5 82	-	111	94					
TR 177A	AB4 5 82	V3.09.15	114	97					
TR 77A	AC3 5 82	V3.09.16	123	106		VC8	BW3		
TR 175A	AD4 1 82	V3.09.17	134	117					
TR 78A	AE7 5 82	V3.09.18	147	130					

## RUBBER BASED DOUBLE BENT TUBE VALVES - TRUCK & BUS



PRODUCT TYPE			A	B $\pm$ 4	C $\pm$ 4	$\alpha \pm 2^\circ$	ACCESSORIES - TR CODE				
VENDRIX	IS	ETRTO					CORE	CAP	BW	RING WASHER	HEX NUT
TR 75A	A97 5 82	V3.09.13	97	35	48	31°	C 1 SHORT	VC2	BW1	RW3	HN1
TR 76A	AA6 5 82	V3.09.14	106	40	51	31°					
TR 177A	AB4 5 82	V3.09.15	114	46	54	26°					
TR 78A	AE7 5 82	V3.09.18	147	63	70	21°					
TR 179A	A90 5 82	V3.09.20	160	75	70	21°					